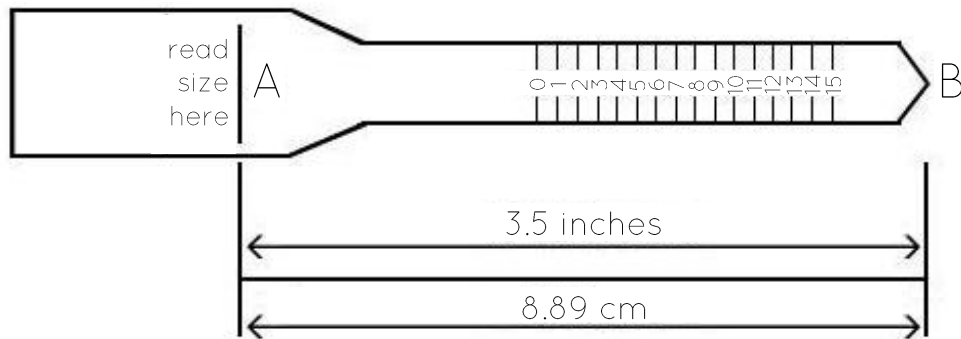


willow & bloch

ring ruler



To print the 'ring ruler' above, make sure that your printer is set to print at 100 percent. Double check that you have not reduced the print size in your 'page setup' options just before you click 'print.' You can verify the 'ring ruler' printed true to size by measuring from A to B with a ruler. It should measure 3.5 inches long.

Once printed, you're only a few steps away from sizing your mid-finger ring:

1. Cut out the 'ring ruler'
2. Cut a slit at slot "A"
3. With the numbers facing outward, wrap the 'ring ruler' around the finger you wish to wear the ring on
4. Pull the pointed end "B" through slot "A" until the ruler is snug, allowing size for the smallest knuckle
5. The number aligned with Slot "A" is your ring size
6. If slot "A" lands between two numbers, you are sitting at a half size. E.g. if the ring ruler reads between 2 and 3, you are close to size 3.5 for that finger. We suggest ordering slightly bigger rather than smaller if you feel you are somewhere between half sizes, such as somewhere between 3 and 3.5